



Reliance Water Controls®
Worcester Road
Evesham
Worcestershire
WR11 4RA

Tel: 01386 712 400
Fax: 01386 712 401

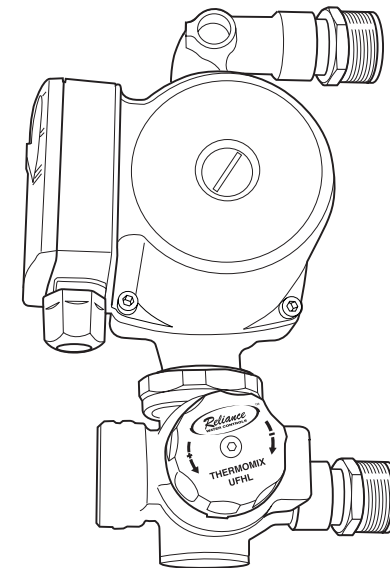
www.rwc.co.uk

ZINS970302_001_12-12



Installation and Maintenance Guide

THERMOMIX® UNDERFLOOR HEATING CONTROL PACK



The Manifold Control Pack provides temperature controlled mixed water to an underfloor heating system with a heat output up to 14kW.

Reliance Water Controls

Reliance Water Controls are part of the Australian based group of companies collectively known as Reliance Worldwide Corporation. Reliance Water Controls is a specialist in the design, distribution and technical support for temperature and flow controls.

With Group offices and manufacturing plants throughout the World Reliance offers a wealth of knowledge and expertise which is reflected throughout our products. Being part of many specialised Trade Associations and having our own UKAS accredited laboratory, makes us at the forefront of any new regulations or changes which impact the industry, and allows for continuous product development and innovation, within our specialised product area.

Thermomix UFH Control Pack

A manifold control pack providing temperature controlled mixed water to an underfloor heating system manifold. Designed to work with manifolds of all types, on 210mm centres.

- Compact bolt on unit providing quick and simple installation
- Provides mixed temperature water to underfloor heating systems with a heat output up to 14Kw
- Easy set up with adjustable temperature range
- Controls flow temperatures to +/- 2°C even with fluctuating temperature and flow from the boiler
- Nickel plated finish to match stainless steel manifold
- Blanking plug and pump can be changed so the complete kit can be reversed

Wiring

1.1.

A fused spur should be provided adjacent to the manifold to provide power to the pump and two port zone valve if fitted.

1.2

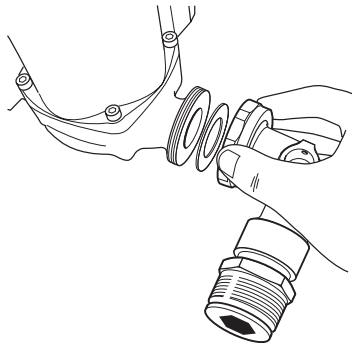
To comply with IEE regulations, the pump on the Manifold Control Pack must be provided with an earth. All wiring should be undertaken by a qualified installer and must conform to IEE regulations.

Temperature Settings

The mixing valve supplied as part of the Manifold Control Pack has a temperature setting range as detailed below.

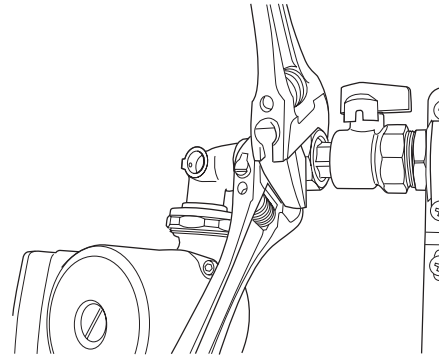
Min
40°C
45°C
50°C
55°C
60°C
Max

The temperature control is factory set in the adjustable position and at the minimum temperature (35°C)



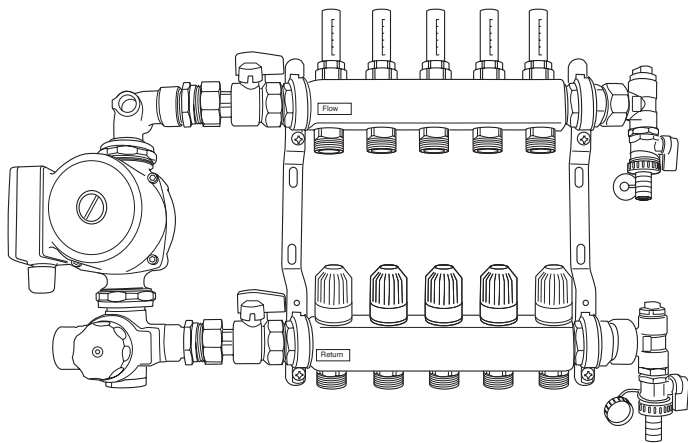
1.4 Use the 1 1/2" pump nut to connect the elbow to the pump, again ensuring the pump washer is inserted.

1.5 Tighten the pump union connections



1.6 Connect the elbow to the flow manifold by means of the 1" MBSP connection onto the flat faced union connection, remembering to fit the 1" fibre washer.

1.7 Connect the Thermomix UFH control valve to the return manifold by means of the 1" MBSP connection onto the flat faced union connection again remembering to fit the 1" fibre washer.

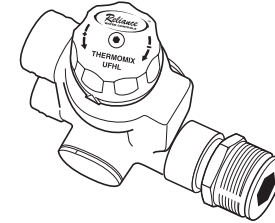


Thermomix® UFH Valve complete with UFH manifold.

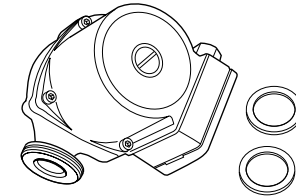
Pack Contents

PLEASE CHECK CONTENTS OF PACK BEFORE BEGINNING INSTALLATION.

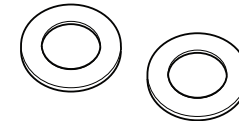
ThermoMix UFH Valve



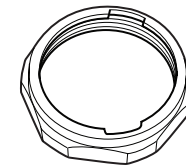
'A' rated or 'C' rated Pump including rubber washers



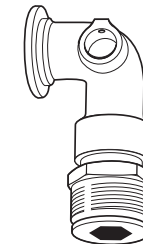
1" washers (Qty 2)



Pump nut



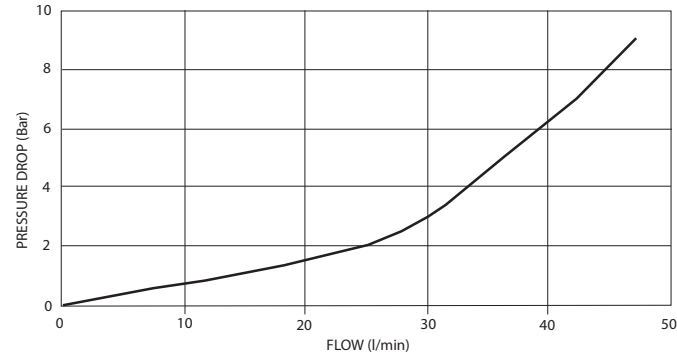
Connection elbow



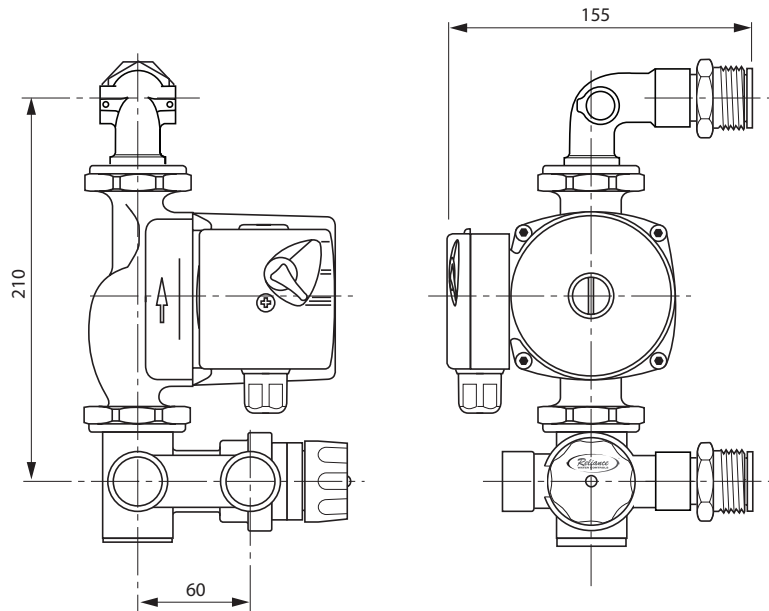
Specifications

Maximum static pressure:	10 bar
Maximum temperature:	90°C
Adjustable control range:	35°C to 65°C
Factory pre-set :	35°C (minimum)

Pressure Drop Graph



Dimensions

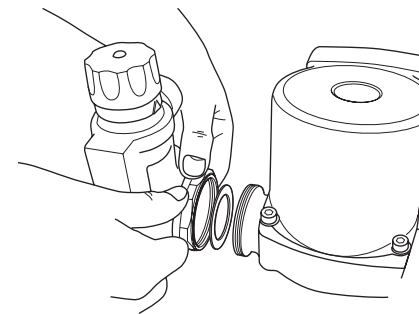
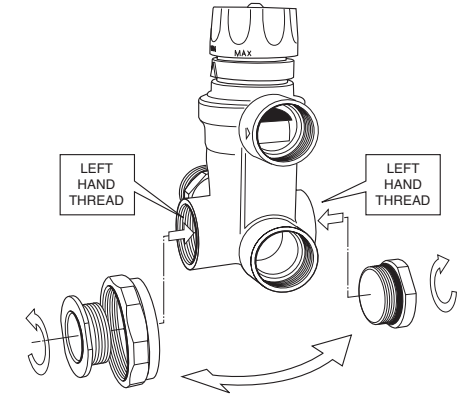


Installation

Firstly, firmly fix the distribution manifolds to the wall leaving enough room beside the manifold to fit the control pack. (see dimensions)
Before beginning the installation of the Manifold Control Pack, identify all of the components in the pack.

1.1

The Thermomix UFH valve comes complete with a blanking plug, this means if the standard orientation of the kit is not suitable for your application you can unscrew the blanking plug and pump union (left handed thread), and change them around, to reverse the kit.



1.2

Connect the Thermomix UFH valve to the pump using the pump nut which is pre-assembled to the thermomix, ensuring the pump washer is inserted. (taking note of the directional arrows on the pump body)

1.3

Slip the 1 1/2" pump nut over the flange on the flow connection elbow

