

ENERGYMIZER UH1 UNDERFLOOR HEATING WIRING CENTRE

The Energymizer UH1 has been developed to provide a central temperature control system with integral switching of primary heat sources.

Features of UH1

Can control a maximum of 8 zones and can take up to 12 thermal actuators(2 watt) see note below on loading.

Can switch the thermal actuators, boiler and pumps.

LED Indicators to show the operating outputs.

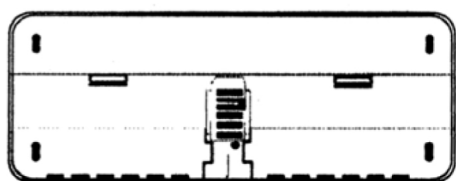
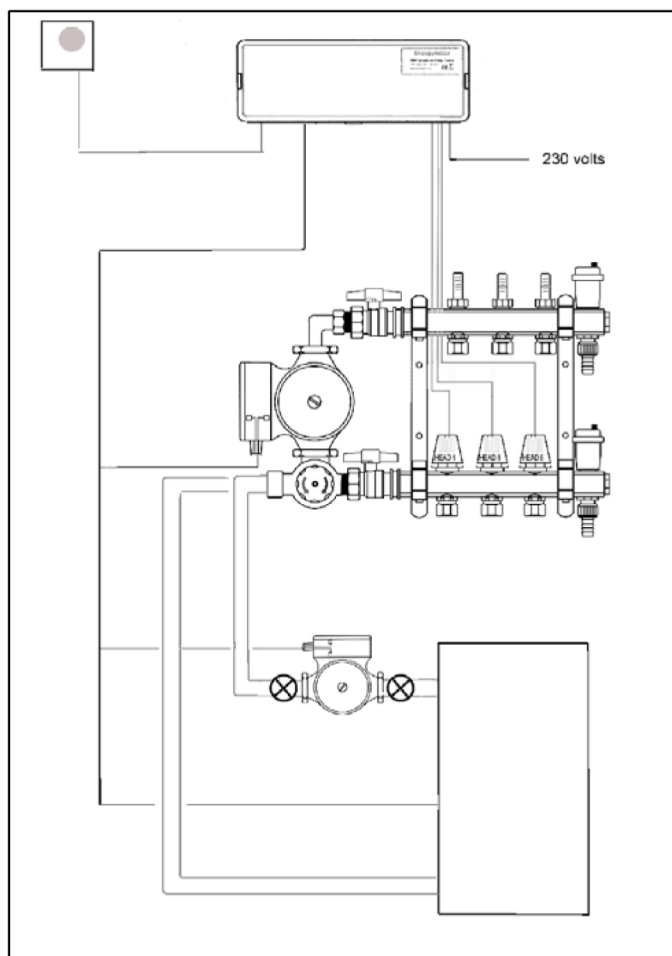
Specification

Power Source	100 ~ 240 v AC
Max. Relay Contact	250 v AC 10 A
Operating Temperature	-20°C ~ 60°C
Storage Temperature	-20°C ~ 70°C

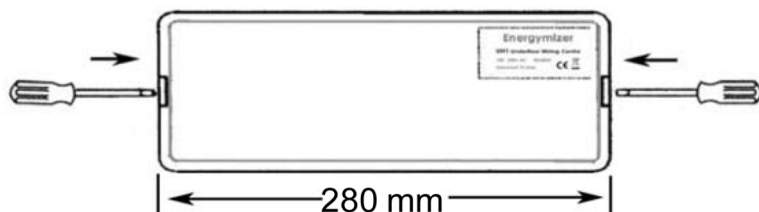
IMPORTANT SAFETY INFORMATION

Any works should be carried out by a Qualified Electrician otherwise the guaranteed could be void.

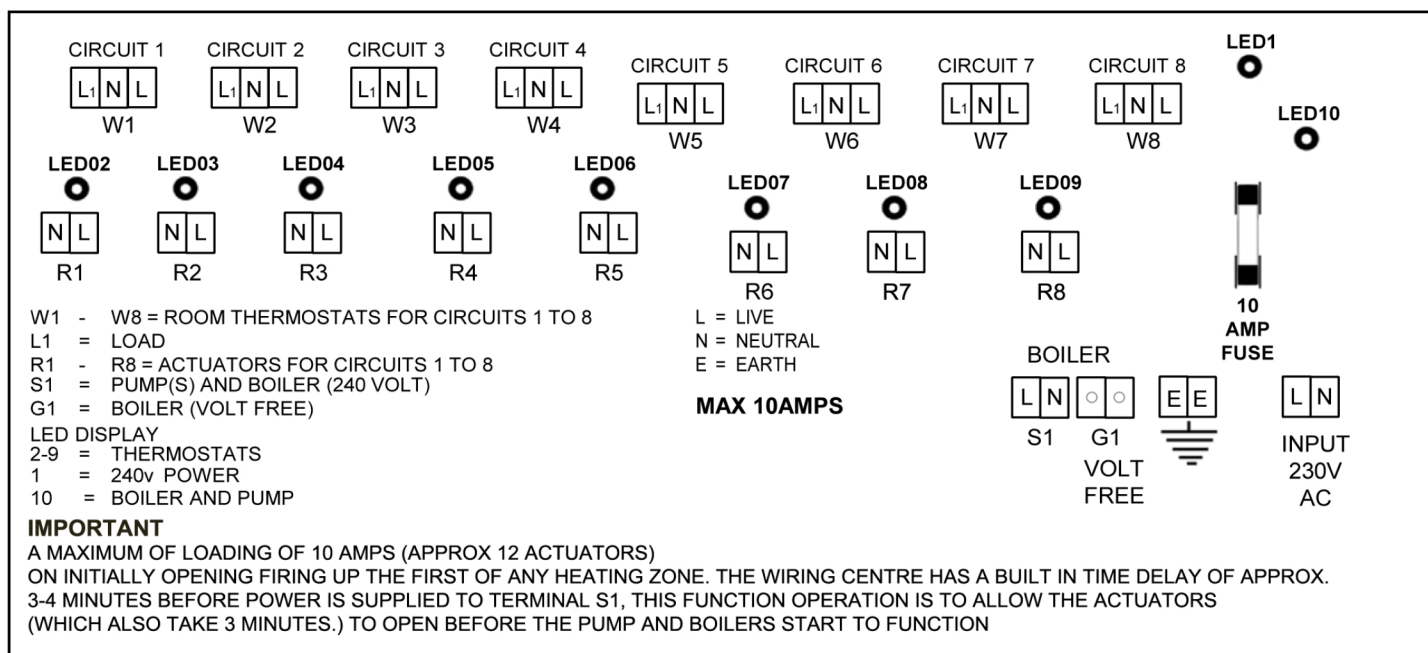
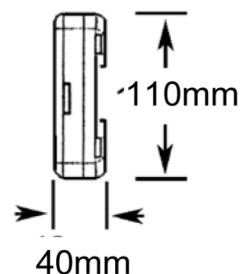
Always isolate the power before cleaning or making any changes to the system.



UH1 can be Din rail mounted



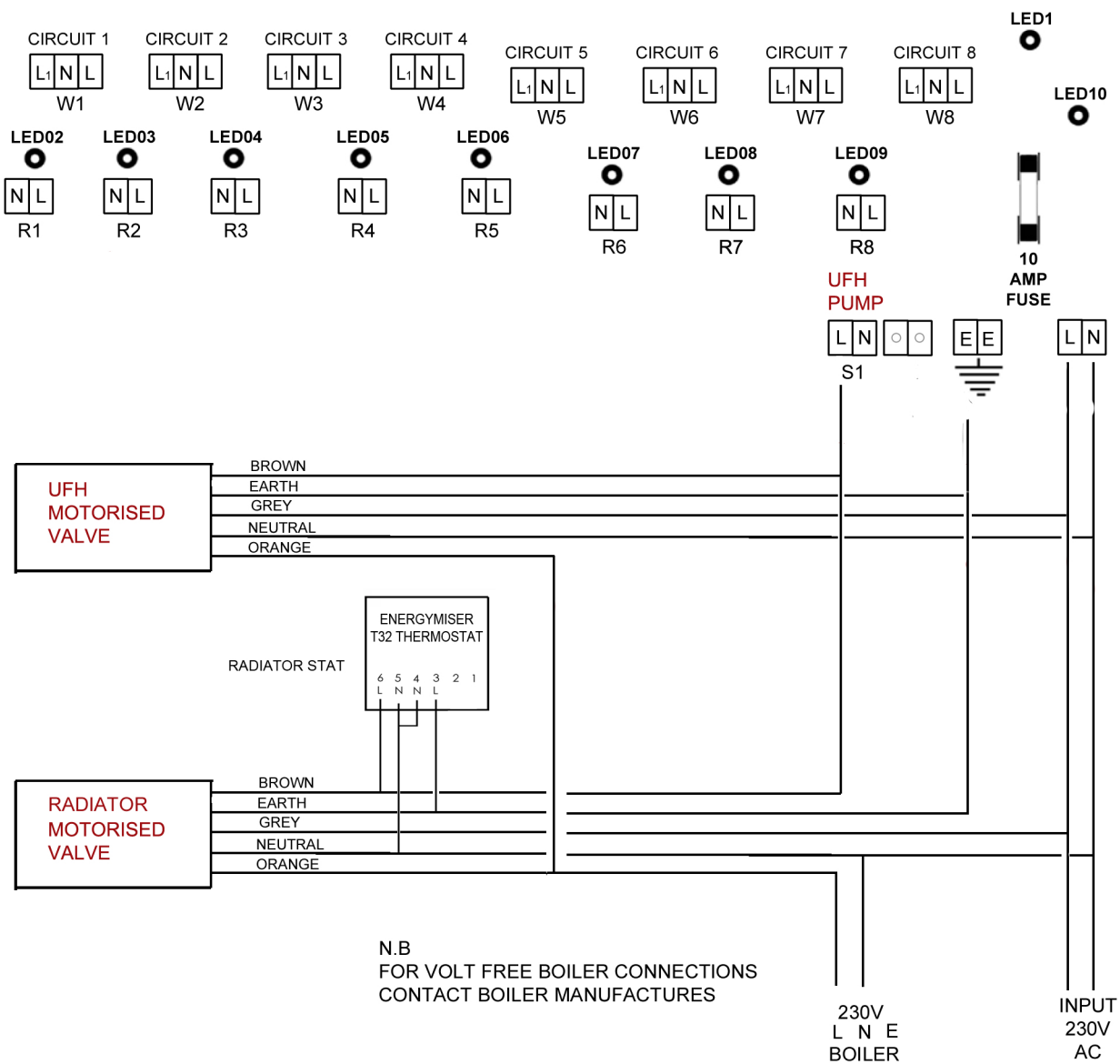
To remove the cover use a slotted screwdriver



IMPORTANT

A MAXIMUM OF LOADING OF 10 AMPS (APPROX 12 ACTUATORS) ON INITIALLY OPENING FIRING UP THE FIRST OF ANY HEATING ZONE. THE WIRING CENTRE HAS A BUILT IN TIME DELAY OF APPROX. 3-4 MINUTES BEFORE POWER IS SUPPLIED TO TERMINAL S1, THIS FUNCTION OPERATION IS TO ALLOW THE ACTUATORS (WHICH ALSO TAKE 3 MINUTES.) TO OPEN BEFORE THE PUMP AND BOILERS START TO FUNCTION

PLEASE LEAVE THIS LEAFLET FOR OCCUPIER



W1 - W8 = ROOM THERMOSTATS FOR CIRCUITS 1 TO 8
 L1 = LOAD
 R1 - R8 = ACTUATORS FOR CIRCUITS 1 TO 8
 S1 = UFH PUMP

L = LIVE
 N = NEUTRAL
 E = EARTH

MAX 10AMPS

LED DISPLAY
 2-9 = THERMOSTATS
 1 = 240v POWER
 10 = UFH PUMP

IMPORTANT

A MAXIMUM OF LOADING OF 10 AMPS (APPROX 12 ACTUATORS)
 ON INITIALLY OPENING FIRING UP THE FIRST OF ANY HEATING ZONE. THE WIRING CENTRE HAS A BUILT IN TIME DELAY OF APPROX. 3-4 MINUTES BEFORE POWER IS SUPPLIED TO TERMINAL S1, THIS FUNCTION OPERATION IS TO ALLOW THE ACTUATORS (WHICH ALSO TAKE 3 MINUTES.) TO OPEN BEFORE THE PUMP AND BOILERS START TO FUNCTION